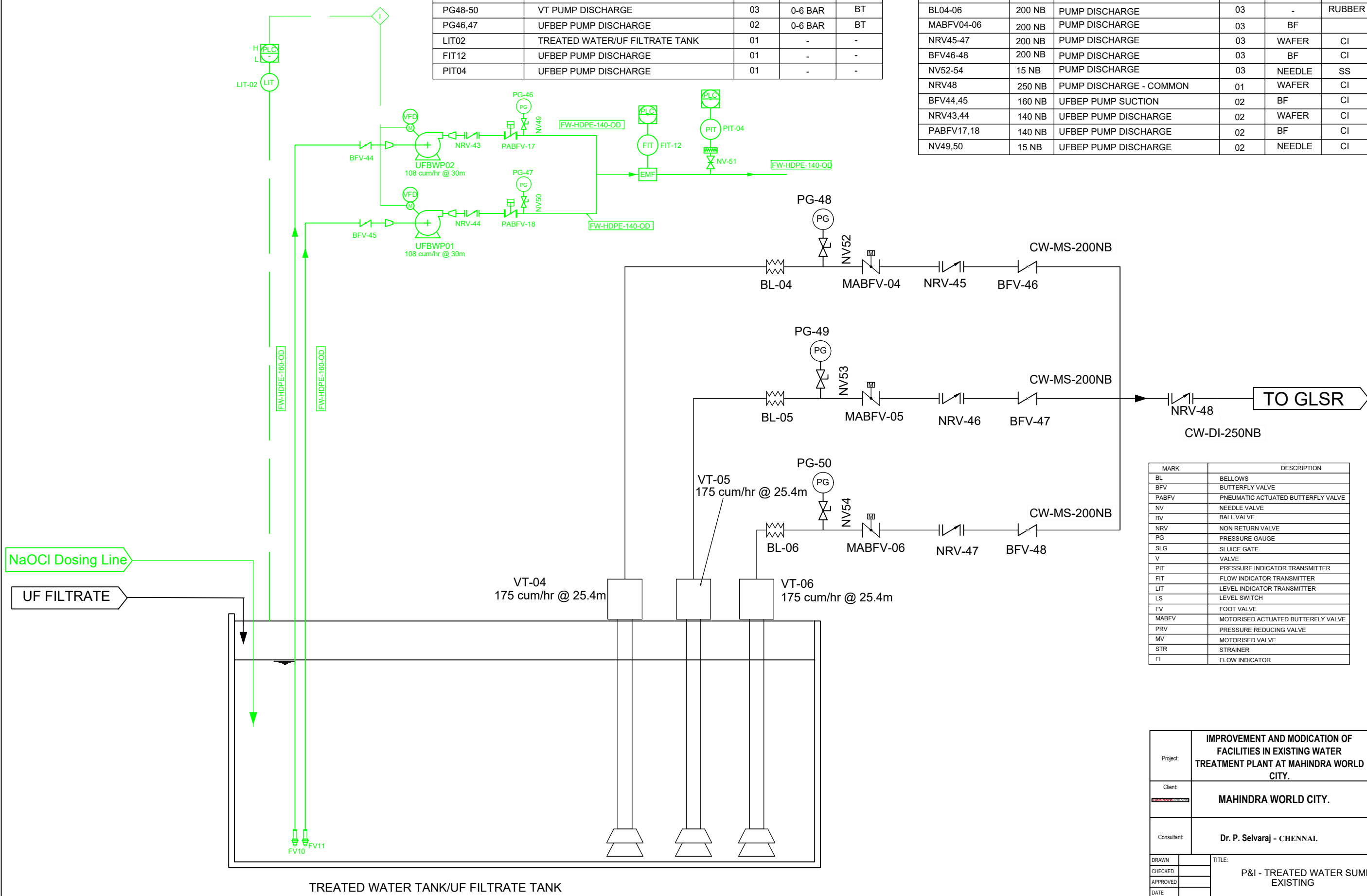


INSTRUMENTATION				
MARK	DESCRIPTION	QTY	RANGE	TYPE
PG48-50	VT PUMP DISCHARGE	03	0-6 BAR	BT
PG46,47	UFBEP PUMP DISCHARGE	02	0-6 BAR	BT
LIT02	TREATED WATER/UF FILTRATE TANK	01	-	-
FIT12	UFBEP PUMP DISCHARGE	01	-	-
PIT04	UFBEP PUMP DISCHARGE	01	-	-

VALVE SCHEDULE					
MARK	SIZE	DESCRIPTION	QTY	TYPE	MOC
BL04-06	200 NB	PUMP DISCHARGE	03	-	RUBBER
MABFV04-06	200 NB	PUMP DISCHARGE	03	BF	
NRV45-47	200 NB	PUMP DISCHARGE	03	WAFER	CI
BFV46-48	200 NB	PUMP DISCHARGE	03	BF	CI
NV52-54	15 NB	PUMP DISCHARGE	03	NEEDLE	SS
NRV48	250 NB	PUMP DISCHARGE - COMMON	01	WAFER	CI
BFV44,45	160 NB	UFBEP PUMP SUCTION	02	BF	CI
NRV43,44	140 NB	UFBEP PUMP DISCHARGE	02	WAFER	CI
PABFV17,18	140 NB	UFBEP PUMP DISCHARGE	02	BF	CI
NV49,50	15 NB	UFBEP PUMP DISCHARGE	02	NEEDLE	CI



MARK	DESCRIPTION
BL	BELLOWS
BFV	BUTTERFLY VALVE
PABFV	PNEUMATIC ACTUATED BUTTERFLY VALVE
NV	NEEDLE VALVE
BV	BALL VALVE
NRV	NON RETURN VALVE
PG	PRESSURE GAUGE
SLG	SLUICE GATE
V	VALVE
PIT	PRESSURE INDICATOR TRANSMITTER
FIT	FLOW INDICATOR TRANSMITTER
LIT	LEVEL INDICATOR TRANSMITTER
LS	LEVEL SWITCH
FV	FOOT VALVE
MABFV	MOTORISED ACTUATED BUTTERFLY VALVE
PRV	PRESSURE REDUCING VALVE
MV	MOTORISED VALVE
STR	STRAINER
FI	FLOW INDICATOR

Project:	<b>IMPROVEMENT AND MODIFICATION OF FACILITIES IN EXISTING WATER TREATMENT PLANT AT MAHINDRA WORLD CITY.</b>		
Client:	<b>MAHINDRA WORLD CITY.</b>		
Consultant:	<b>Dr. P. Selvaraj - CHENNAI.</b>		
DRAWN:	CHECKED:	APPROVED:	TITLE: <b>P&amp;I - TREATED WATER SUMP EXISTING</b>
SCALE: NTS (A3)	DRG NO.:	MWC-IWTP-G-009	SHEET NO. 10 of 11
REVISION: R-0			